



5 Axis Large Format Overhead Gantry

5 Axis 10' x 20' x 48" (pictured)

Diversified Machine Systems offers a full line of Large Format CNC Routers. The Overhead Gantry features an open frame structure without a table surface so to customize the fixture platform. For custom sizes & additional options, please contact the DMS factory.

Specifications

Standard Sizes

- Widths
 - 8 feet / 2.3 meters
 - 10 feet / 3 meters
 - 15 feet / 4.5 meters
 - 20 feet / 6 meters
- Depths
 - 10 feet / 3 meters
 - 15 feet / 4.5 meters
 - 20 feet / 6 meters
 - 25 feet / 7.5 meters
 - 30 feet / 9 meters

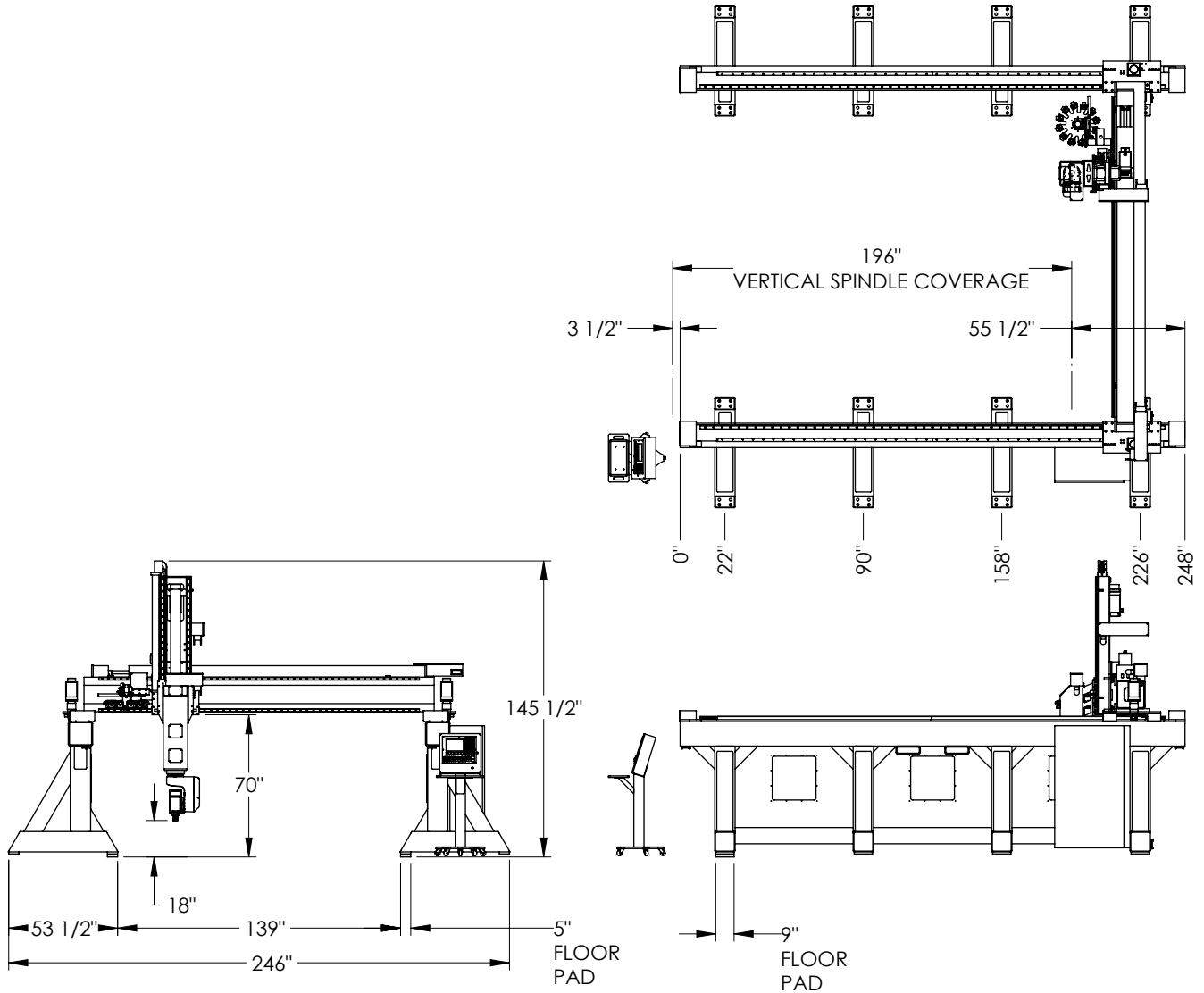
Standard Features

- Fagor 8055 Controller
- Fagor Sercos Drive System with Absolute Encoders on All Linear Axes
- 460 Volt, 3-Phase Power
- Dual Helical Rack & Pinion Drive
- Sealed Electrical Cabinet with A/C
- 48" Z Axis

Optional Features*

- Fagor 8065 Controller
- Spindle Options from 5 HP - 30 HP
- Stand Alone Table
- Front & Rear Enclosures
- 60" up to 144" Z Stroke
- Automatic Tool Changer
- Continuous C Rotation
- Automatic Lubrication System
- Absolute Encoders on Rotary Axes
- Extend 1 Year to 2 Year Warranty on Fagor Components

5 Axis Large Format Overhead Gantry Drawing



Overhead Side Wall 10'(w) x 15'(d) x 48"(h) (pictured)

*Contact DMS Sales for a full list of optional features at Sales@DMSCNCRouters.com or 855.266.5064.