

5 Axis Twin Moving Tables

Twin 6' x 5' Shuttle (pictured)

Diversified Machine Systems' 5 Axis Moving Table Machining Centers offers a stationary bridge with moving table design for full 5 axis machining. These high-precision machines are commonly used on honeycomb, composites, carbon fiber & aluminum processes. For custom sizes & options, please contact the DMS factory.

Specifications

Standard Sizes

- Widths
 - 10 feet / 3 meters
 - 12 feet / 3.6 meters
 - Twin 5 feet / 1.5 meters
 - Twin 6 feet / 1.8 meters

- Depths
 - 5 feet / 1.5 meters

Standard Features

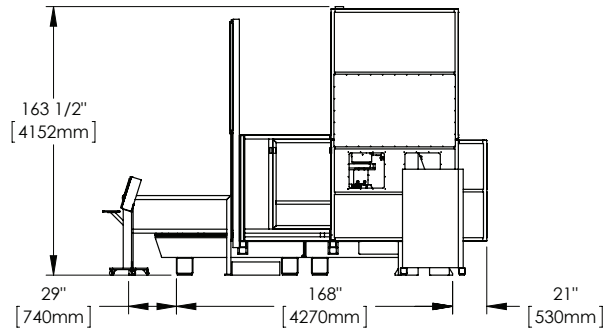
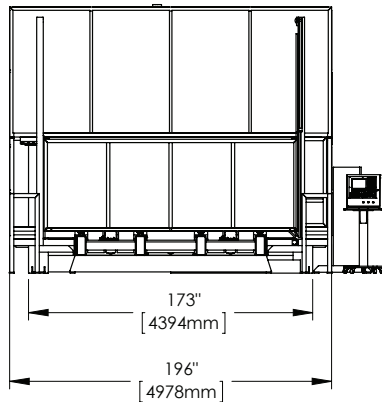
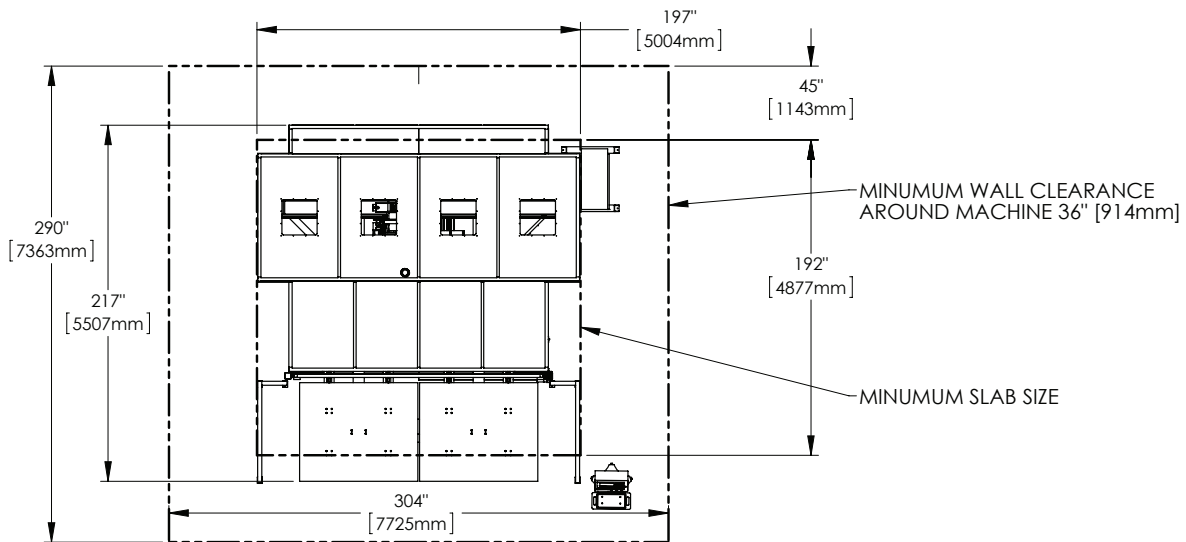
- Fagor 8055 Controller
- Fagor Sercos Drive System with Absolute Encoders on All Linear Axes
- 460 Volt, 3-Phase Power
- Aluminum Table
- Automatic Doors
- 8 Position Tool Changer
- Sealed Electrical Cabinet with A/C
- 48" Z Stroke

Optional Features*

- Fagor 8065 Controller
- Spindle Options from 5 HP - 30 HP
- 36" / 1m or 48" / 1.2m Z Stroke
- Additional Tool Changer Options
- Volumetric Compensation
- Continuous C Rotation
- Automatic Lubrication System
- Linear Feedback Scales
- Absolute Encoders on Rotary Axes
- Extend 1 Year to 2 Year Warranty on Fagor Components



5 Axis Moving Tables Machine Drawing



Twin 6' x 5' Shuttle Tables (pictured)

*Contact DMS Sales for a full list of optional features at Sales@DMSCNCRouters.com or 855.266.5064.