



## 3 Axis D3 Machine

### 5' x 12' x 10" D3 (pictured)

Diversified Machine Systems is an Original Equipment Manufacturer of high quality, precision CNC machining centers, tools and routers. The 3 Axis Moving Bridge features a stationary table design with various customization options and includes a one year limited warranty.

## Specifications

### Standard Sizes

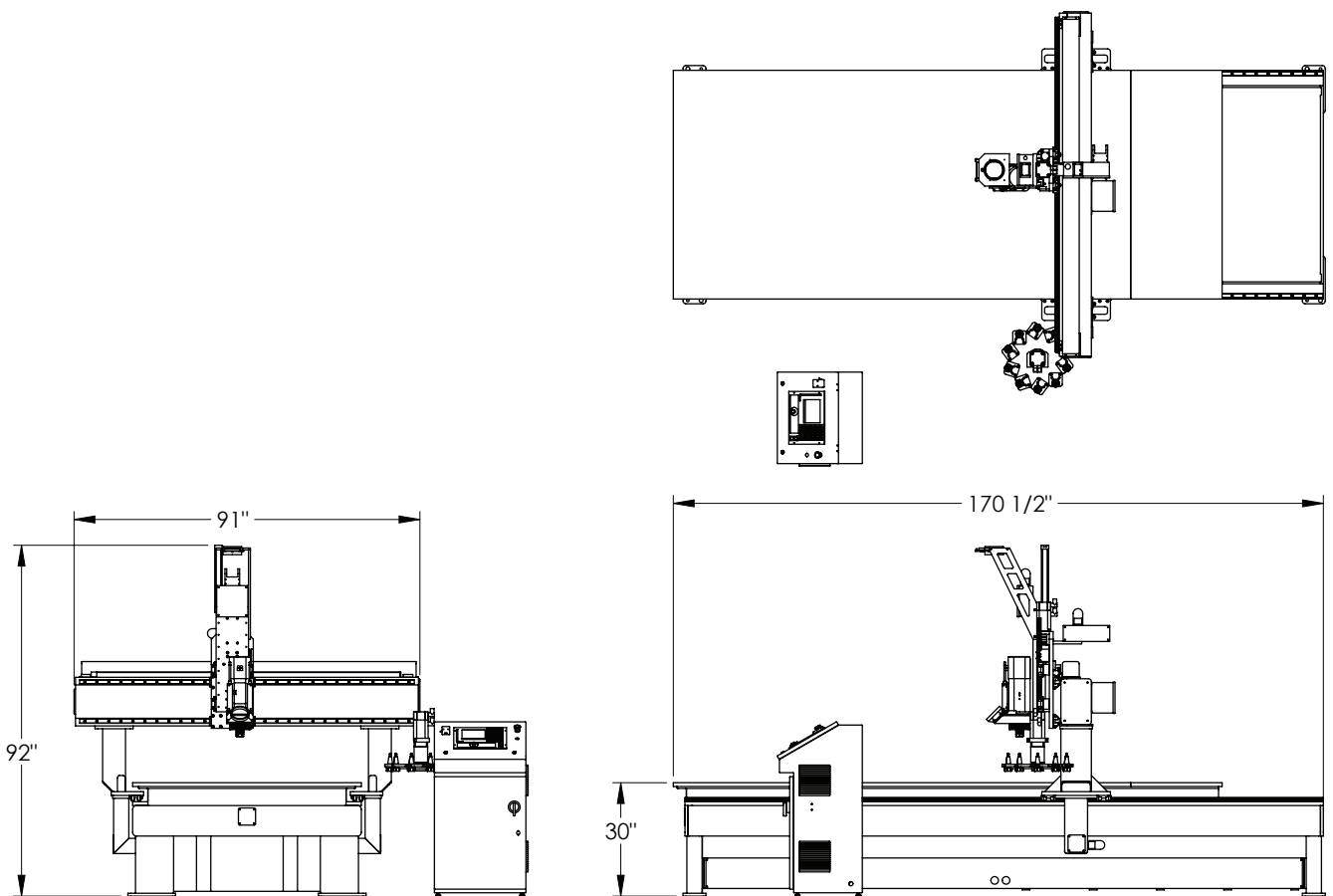
- Widths  
5 feet / 1.5 meters
- Depths  
5 feet / 1.5 meters  
10 feet / 3 meters  
12 feet / 3.6 meters

### Standard Features

- Fagor 8037 Controller
- Fagor Servo Drive System with Absolute Encoders on All Axes
- 2 Year Warranty on Fagor Components
- 220 Volt 3 Phase Power
- 6 Zone Vacuum Table

### Optional Features

- Controller Upgrades Available
- Spindle Options from 3 HP - 12 HP
- Multiple Table Configurations
- Automatic Lubrication System
- 10 Position ATC Tool Rack
- 10 Position ATC Traveling Tool Carousel (Requires 8055 Upgrade)
- 15" Z Stroke



**5'(w) x 12'(d) x 10"(h) D3 (pictured)**