



3 Axis CNC Machining Centers



3 Axis Moving Table Machine

HD 12' x 5' x 12" (pictured)

Diversified Machine Systems aims to provide a high-quality, precision solution for nearly every industry. The 3 Axis Moving Table CNC routers offer a stationary bridge with moving single or twin tables, and single or multiple spindle options. For custom sizes & additional options, please contact the DMS factory.

Specifications

Standard Sizes

- Widths
 - 5 feet / 1.5 meters
 - 10 feet / 3 meters
 - 12 feet / 3.6 meters
- Depth
 - 5 feet / 1.5 meters
 - 8 feet / 2.3 meters
 - 10 feet / 3 meters

Standard Features

- Fagor 8055 Controller
- Fagor Sercos Servo Drive System
- 2 Year Fagor Warranty Included
- 460 Volt, 3 Phase Power
- Aluminum Vacuum Table
- 12" Z Axis
- Steel Carriage & Face Plates

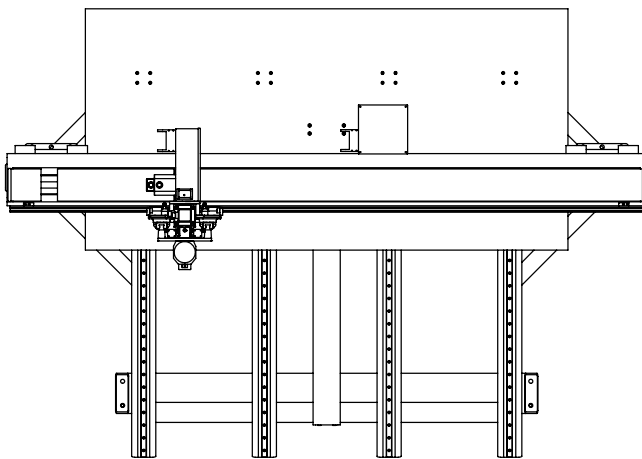
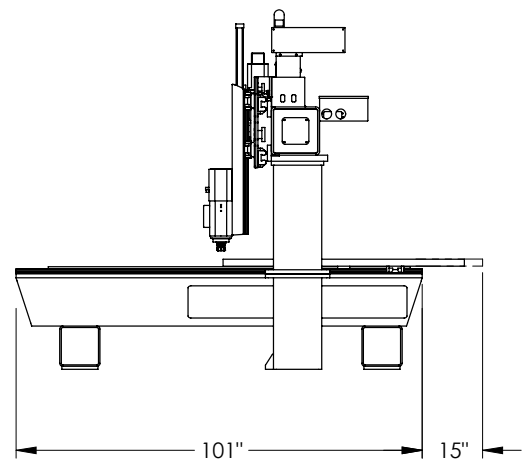
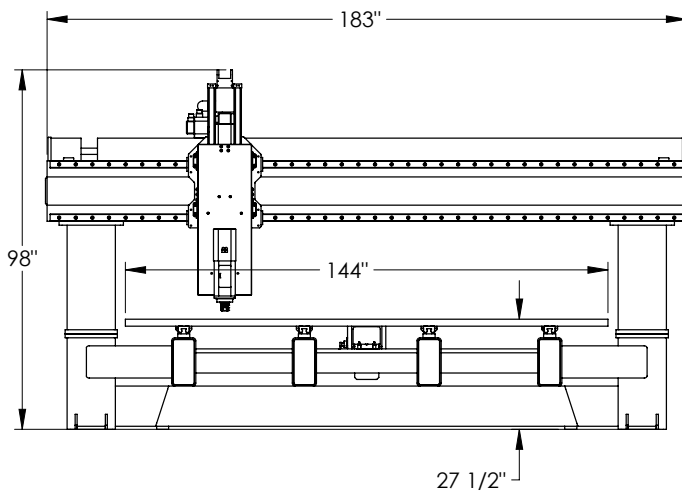
Optional Heavy Duty Model

- Fagor 8065 Controller
- 45 mm Rails on Bridge
- Cast Iron Carriage & Face Plates
- 18" Z Stroke
- Multiple Tool Change
- Multiple Table Configurations
- Spindle Options from 5 HP - 12 HP
- Automatic Lubrication System
- Twin Tables

Diversified Machine Systems

1068 Elkton Drive Colorado Springs, CO 80907
Phone: 719.226.5066 | Fax: 719.226.9810

www.dmscncrouters.com



Heavy Duty 12'(w) x 5'(d) x 18"(h) (pictured)